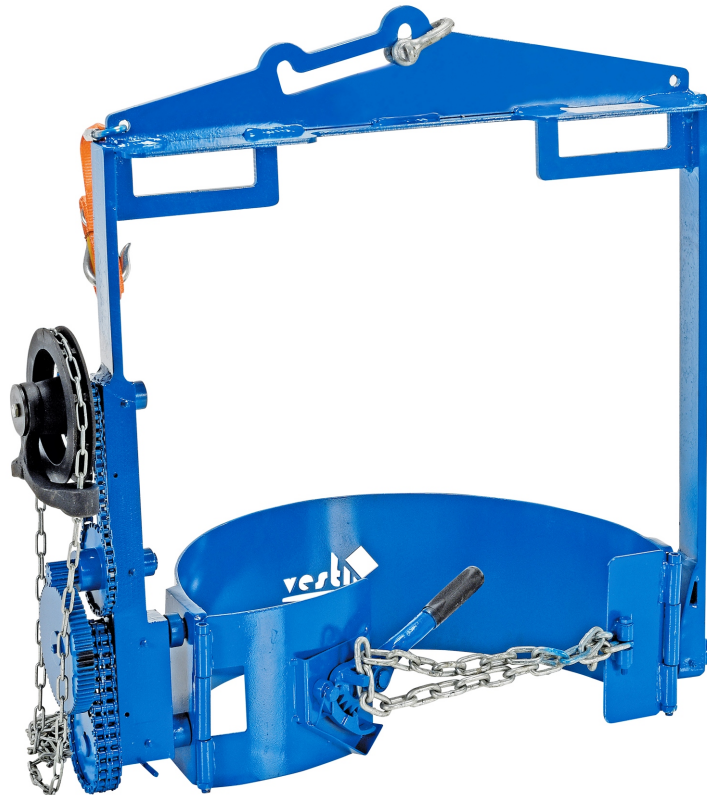




VESTIL MANUFACTURING CORP.

2999 North Wayne Street, P.O. Box 507, Angola, IN 46703
 Telephone: (260) 665-7586 -or- Toll Free (800) 348-0868
 Fax: (260) 665-1339
 Web: www.vestilmfg.com e-mail: info@vestil.com

**DCT-85 & DCT-85-4WFP Fork-Mounted Drum Handlers
 Instruction Manual**



Receiving instructions

After delivery, remove the packaging from the product. Inspect the product closely to determine whether it sustained damage during transport. If damage is discovered, record a complete description of it on the bill of lading. If the product is undamaged, discard the packaging.

Replacement Parts and Technical Service

For answers to questions not addressed in these instructions and to order replacement parts, labels, and accessories, call our Technical Service and Parts Department at (260) 665-7586. The department can also be contacted online at http://www.vestilmfg.com/parts_info.htm.

NOTE: The end-user is solely responsible for confirming that product design, use, and maintenance comply with laws, regulations, codes, and mandatory standards applied where the product is used.

Table of Contents

Signal Words.....	2
Hazards.....	2
Specifications.....	3
Exploded View & Bill of Materials.....	4
Using the Drum Carrier.....	5
Record of Satisfactory Condition.....	6
Inspections & Maintenance.....	6
Labeling Diagram.....	7
Limited Warranty.....	8

SIGNAL WORDS

This manual classifies personal injury risks and situations that might cause property damage with signal words. Signal words indicate the seriousness of injuries that might result if a particular act does, or does not, occur.



Identifies a hazardous situation which, if not avoided, **WILL** result in DEATH or SERIOUS INJURY. Use of this signal word is limited to the most extreme situations.



Identifies a hazardous situation which, if not avoided, **COULD** result in DEATH or SERIOUS INJURY.



Indicates a hazardous situation which, if not avoided, **COULD** result in MINOR or MODERATE injury.



Identifies practices likely to result in product/property damage, such as operation that might damage the product.

HAZARDS

We strive to identify foreseeable hazards associated with the use of our products. However, material handling is dangerous. No manual can address every risk. Ultimately, the most effective means for preventing injury is for the end-user to apply sound judgment whenever using this lifter.

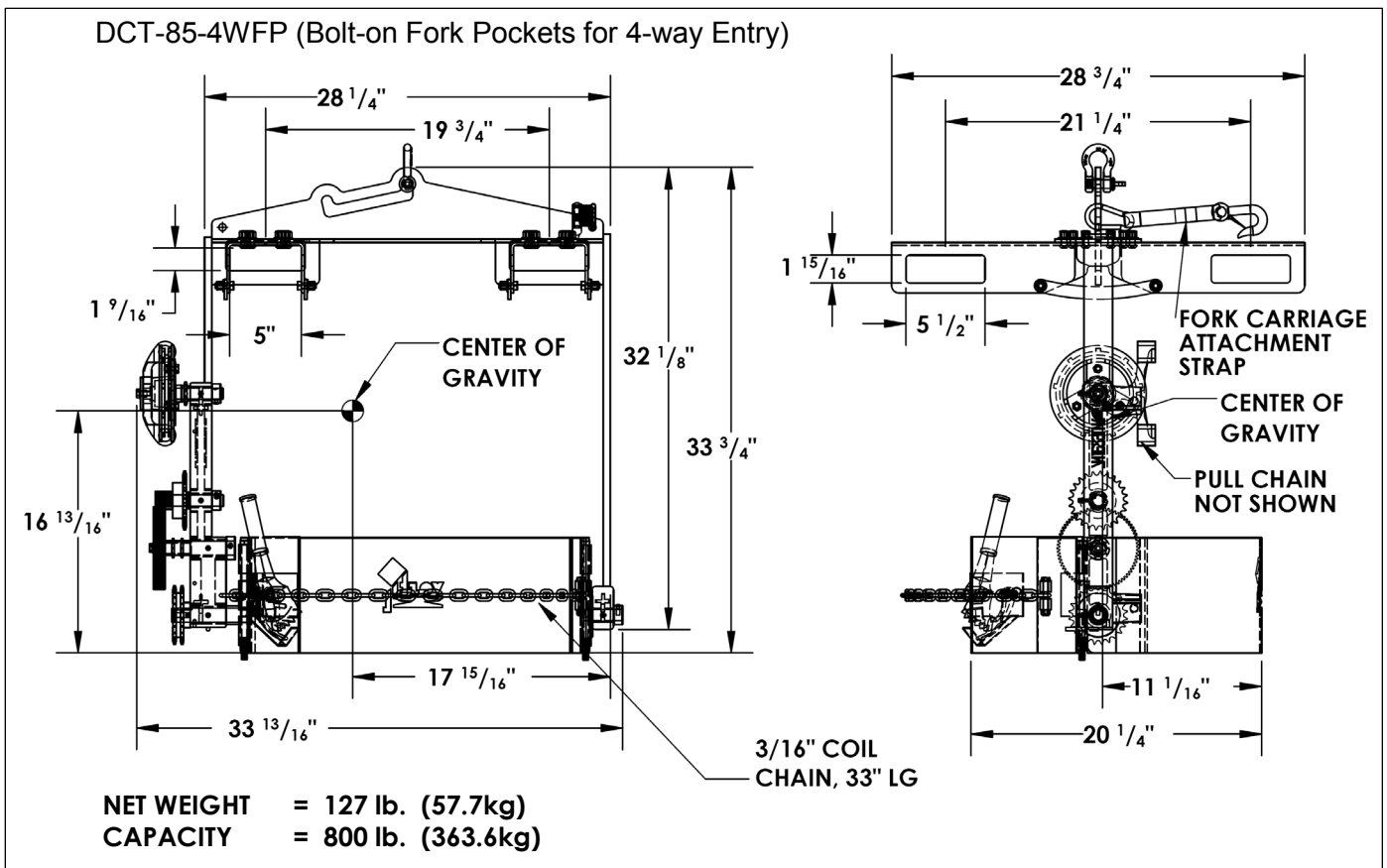
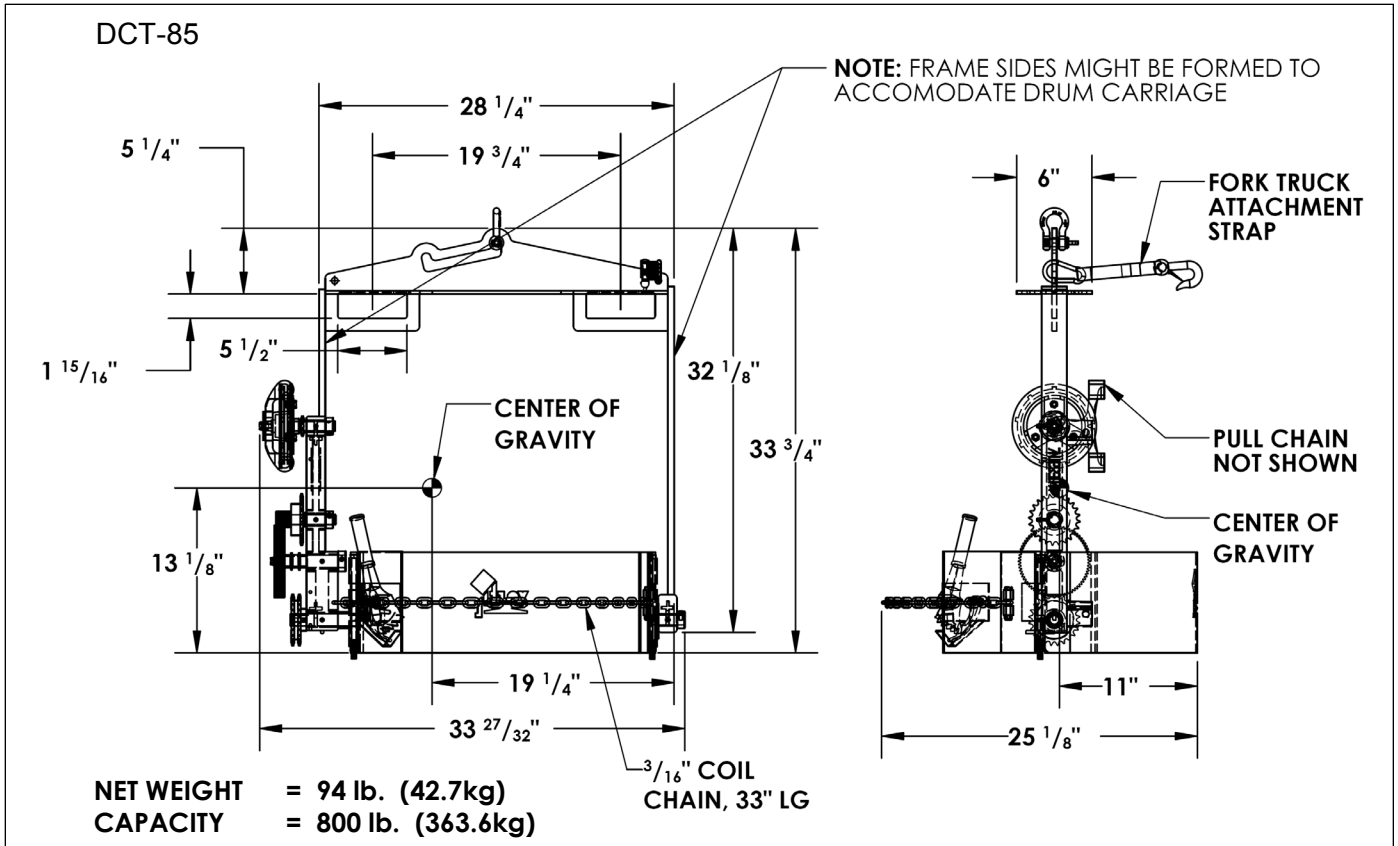


Material handling is dangerous. Serious personal injuries or death might result if this product is used improperly or carelessly.

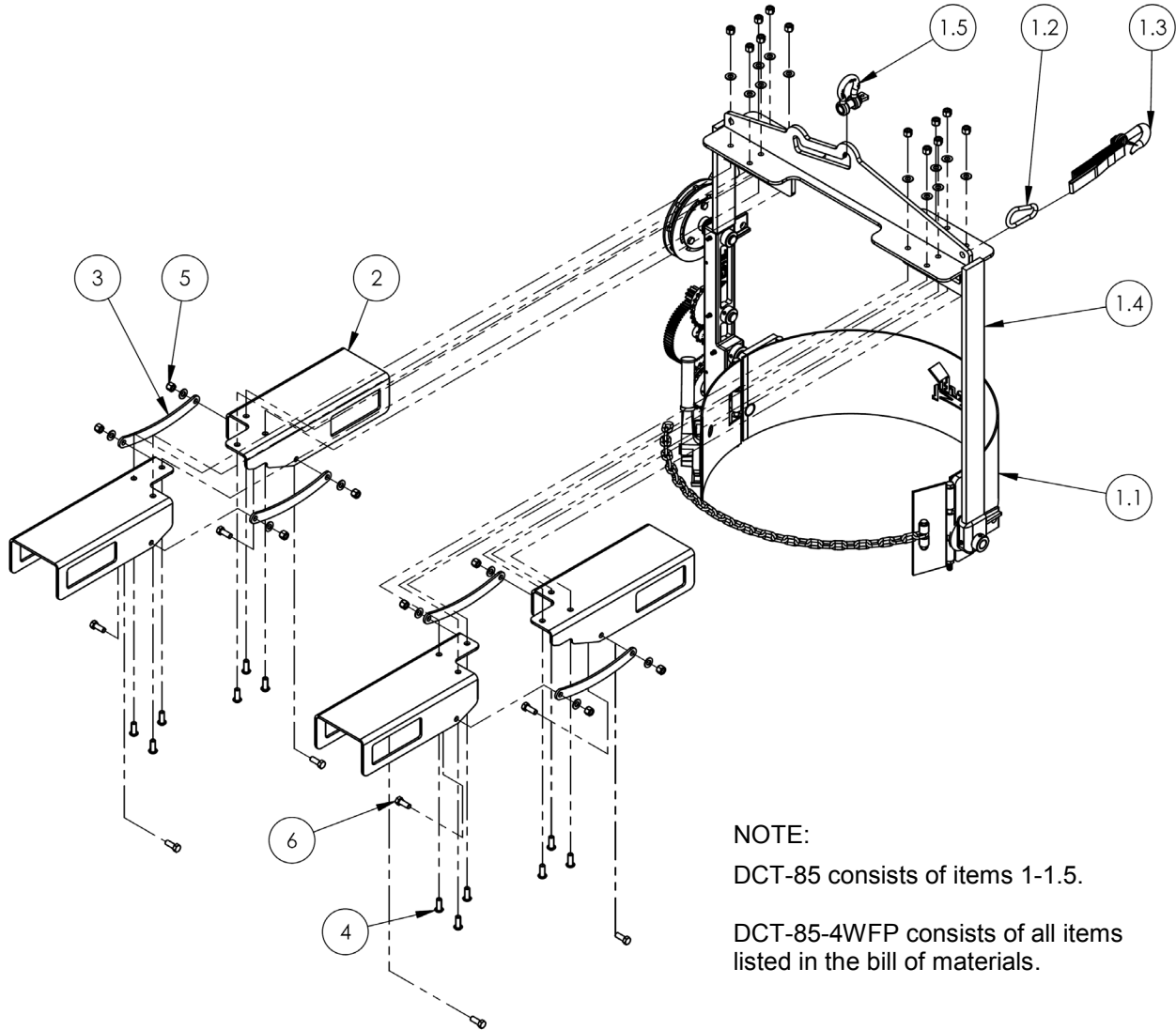
- *Read and understand the entire manual before assembling, installing, using or servicing this drum carrier.* Review the manual as frequently as necessary to refresh your understanding of use, inspection, or maintenance procedures.
- DO NOT exceed the maximum rated load. See [Specifications](#) on p. 3; also see Label 287 on product & shown in [Labeling Diagram](#) on p. 7.
- Mark your forklift: 1) to identify the drum carrier attachment; and 2) to show the approximate weight of the truck and attachment combination at maximum elevation with load laterally centered. Capacity, operation, and maintenance instruction plates, tags, or decals must be changed accordingly.
- DO NOT use the carrier unless you are trained to use it.
- Inspect the drum carrier as instructed in [Inspections & Maintenance](#) on p. 6. DO NOT use the device unless it is in satisfactory condition.
- Always make sure that the shackle pin (item 1.5 on [p. 4](#)) is tightly fastened to the shackle before attaching the carrier to a hoist. Tighten the screw pin before each use.
- DO NOT allow people to ride on the drum carrier.
- ONLY use this product to lift and transport drums. ALWAYS confirm that the drum is securely held in the saddle and by the straps before moving the drum to a new location.
- DO NOT leave an elevated drum unattended. Lower the drum to the ground; then disconnect it from the drum saddle. Back the forklift away from the drum until the drum and drum carrier are completely free of each other.
- DO NOT use the unit if any part of the drum saddle assembly, including the straps, is damaged or broken. ONLY use the carrier if the saddle and closures function properly.
- DO NOT attempt to resolve any problems with this product unless you are certain that it will be safe to use afterwards.
- DO NOT modify the carrier in any way. Unauthorized modifications automatically void the [Limited Warranty](#) (p. 8) and might make the product unsafe to use.

SPECIFICATIONS

Dimensions, capacity, and net weight figures are provided in the following diagrams and tables.



EXPLODED VIEW AND BILL OF MATERIALS: DCT-85 & DCT-85-4WFP



NOTE:
 DCT-85 consists of items 1-1.5.
 DCT-85-4WFP consists of all items listed in the bill of materials.

Item	Part no.	Description	Qty.
1	40-002-015	Assembly, drum carriage	1
1.1	09-002-004	Subassembly, rotator, drum, with gear box	1
1.2	08-145-041	Snap hook, $\frac{5}{16}$ "	1
1.3	08-145-028	Safety/fork carriage strap	1
1.4	40-514-032	Weldment, frame	1
1.5	08-145-010	Shackle, 2-ton, $\frac{1}{2}$ "	1
*2	40-028-013	Fork pocket, formed	4
*3	40-016-142	Bracket, fork support	4
*4	24092	BHCS, utility grade, black oxide, $\frac{3}{8}$ "-16 x 1"	12
*5	37024	Nylon insert lock nut, grade 2, zinc finish, $\frac{3}{8}$ "-16	20
*6	11105	Hex bolt, grade A, zinc plated, $\frac{3}{8}$ "-16 x 1"	8
*7	33082	Washer, $\frac{3}{8}$ " zinc PTD, SAE flat washer	20

*Only model DCT-85-4WFP.

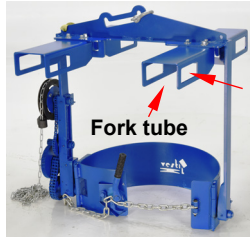
USING THE DRUM CARRIER

Step 1: The carrier can be used with either a forklift or an overhead hoist.

To mount the carrier on a forklift:

- a. Adjust the separation between the forks to align with the fork pockets of the drum carrier.
- b. Insert the forks through the fork pockets. The chain sprocket should be on the left side. This orientation puts the drum saddle on the same side as that the drum will be dumped.

NOTE: Model DCT-85-4WFP has fork pockets and fork tubes. Forks can be inserted through either the pockets or the tubes.



- c. To prevent the carrier from sliding off the forks during transport, attach the safety strap to the carriage of your lift truck. The length of the safety strap must be such that the carrier cannot slide off of the tines.
- d. Level the forks.

To use the carrier with a hoist (as a below-the-hook lifter):

- a. Align the shackle with slot A.
- b. Attach the shackle to a hoist hook.

Step 2: Release the chain from the clamp by pressing the clamp release lever down. While pressing the lever, pull the chain out of the clamp.

Step 3: Open the hinged parts (*) of the drum saddle.

Step 4: Move the carrier into position around a drum. The saddle should be between the second and third ribs. Remove the drum lid or open the drum bung, whichever is appropriate for your application.

Step 5a: Wrap the chain around the front of the drum. Feed the chain between the clamp stud and the bottom of the clamp handle. Press the handle down until the chain tightly presses against the drum. The release lever should seat between locking teeth to lock the handle in place.

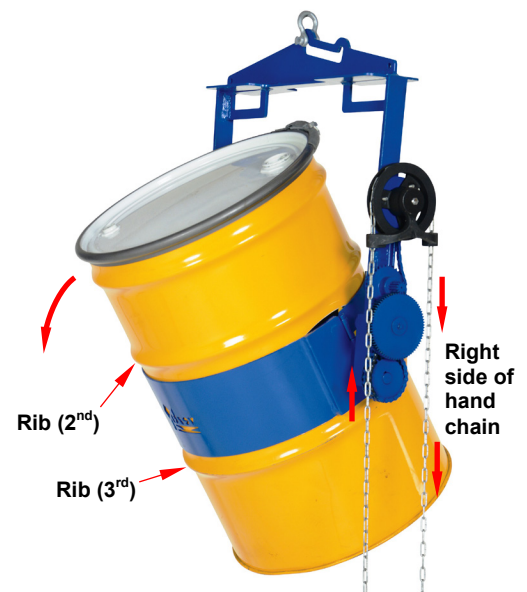
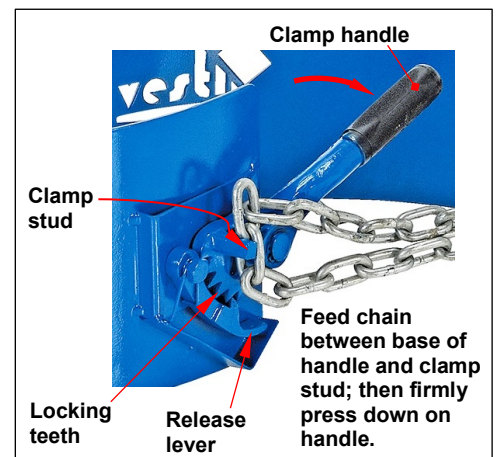
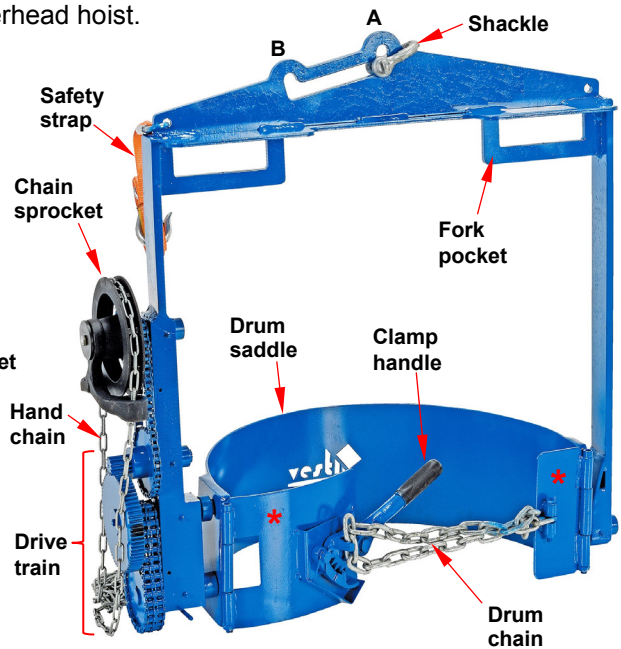
Step 5b: If the carrier is mounted on a forklift, place the end of the hand chain in the forklift cabin where it is easily accessible to the lift truck operator.

Step 6: Raise the forks, or the hoist hook, sufficiently to elevate the drum just a few inches from the ground. The drum should not be tilted. If it is, pull the hand chain in the appropriate direction to make the drum vertical.

NOTE: If using a hoist to lift the drum, make sure that the drum does not lean to one side or the other. Shackle position is adjustable to correct this issue. The shackle can be seated into either slot A or slot B. If the drum is not vertical when elevated, return the drum to the ground, slide the shackle into the other slot, and raise the drum again. If the drum still is not vertical, put the shackle in the slot that results in less lean.

Step 7: Transport the drum to the dumping location. Dump the contents of the drum by pulling the right side of the chain. The drum will slowly rotate with the saddle supporting it. The drum will tend to spin unless you stabilize it by holding the left side of the chain as you pull the right side. Always stand behind and to the side of the drum while dumping it.

Step 8: Rotate the drum back to the vertical position once it is empty.



Saddle supports drum as it rotates. Saddle must be underneath the drum while it is dumped.

RECORD OF SATISFACTORY CONDITION (THE “RECORD”)

Record the condition of the carrier before putting it into service. Thoroughly photograph the unit from multiple angles so that all fasteners and operating mechanisms are clearly visible. Take close range photographs of the labeling. Rotate the saddle. Describe the sounds you hear as the drum and saddle rotate. How much effort is required to pull the chain and rotate the saddle? Photograph the chain clamp. Describe the force necessary to apply the clamp, i.e. to push the handle down until the chain is wedged in the clamp? Collate all photographs and writings into a single file. Give the file a name that clearly identifies it. This file is a record of the unit in satisfactory condition. Compare the findings of all inspections to the record to determine whether the truck is in satisfactory condition. Purely cosmetic changes, like damaged paint/powder coat are not changes from satisfactory condition. However, touch-up paint should be applied to all affected areas as soon as damage occurs.

INSPECTIONS & MAINTENANCE

Regular inspections and maintenance are necessary to keep the device in normal condition. Compare the results of each inspection to the [Record](#) to determine whether the unit is satisfactory condition or requires repairs or replacement parts. If you are uncertain whether a part requires repair or replacement, contact [Technical Service](#) to discuss your concerns. Apply the following general principles in addition to the specific inspection and maintenance procedures provided in this section:

- Periodically lubricate moving parts.
- Keep the product clean and dry.
- Only use manufacturer-approved replacement parts.

Inspections

Compare the results of all inspections to the [Record](#). If a part needs to be repaired or replaced, do not return the unit to service until it has been fully restored to satisfactory condition.

A. Before each use inspect the following listed components:

1. Safety/carriage strap, and snap hook: Confirm that the latch of the snap hook automatically closes. Examine the strap for cuts, tears, and areas of significant wear. Examine the carriage hook (at the free end of the strap). It must not be bent or cracked.
2. Labels: all labels must be easily readable and be located where indicated in the [Labeling diagram](#) on p. 7. If a label is unreadable or missing, contact the [Parts Department](#) to order a replacement.

B. At least once every 2 weeks inspect the carrier to confirm satisfactory condition. Do not return it to service unless/until it is in satisfactory condition.

1. Fasteners (hardware) and hand chain:
 - Bolts, nuts, washers, and snap hooks: Tighten loose fasteners.
 - Hand chain (rotates the drum saddle): Inspect the chain links for breaks, cracks, elongations, severe wear, rusting and corrosion, and other forms of damage.
2. Fork pockets: confirm that each pocket is structurally sound, not corroded, and free of rust. Only use the carrier if the fork pockets are in normal condition.
3. Welds: All welds are intact. Check them and the metal surrounding welds for damage.
4. Drum saddle and clamp mechanism: Confirm that the saddle rotates properly. Apply the clamp to the drum chain. The chain must not be able to pull free of the clamp without pressing the clamp release lever.
5. Drive train, chain sprocket, & pivot points: Rotate the drum saddle to confirm normal operation of the drive train and chain wheel. Lubricate pivot points and drive gears.
6. Saddle hinges: confirm that hinges operate normally. Lubricate the hinges. Lubrication might have to be applied more frequently under heavy usage conditions.
7. Frame: The structure should be clean, square and rigid, and free of rust and corrosion. Clean the frame. Examine it for severe wear, rust, and damage.

Maintenance

NOTICE

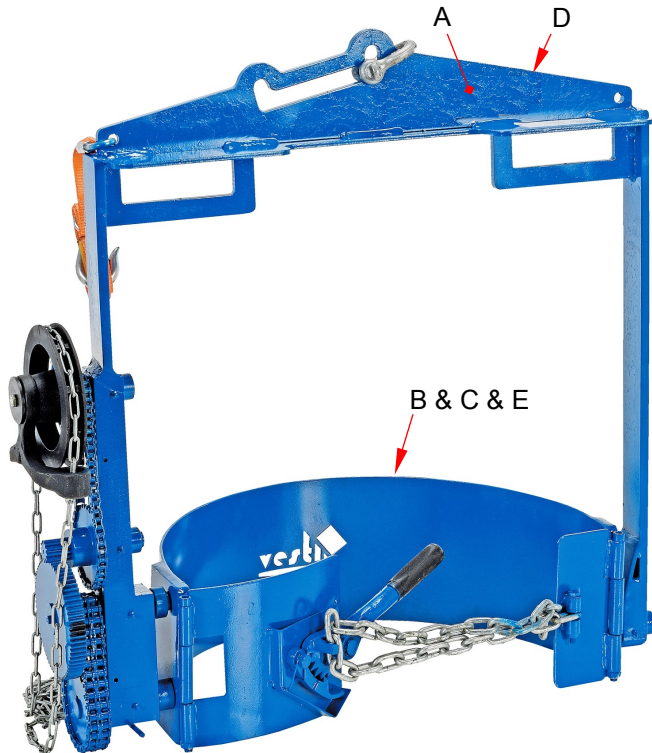
Proper use, maintenance, and storage are essential for this product to function properly.

- ONLY install replacement parts supplied or approved by the manufacturer.
- ALWAYS store this product in a dry location. If necessary, elevate the carrier by storing it on a pallet, storage rack, etc. to prevent damage that might occur through contact with water or corrosive liquids.

1. Tag the unit, “Out of Service.”
2. Remove dirt and other matter from all surfaces.
3. Compare the results of your most recent inspection to the [Record](#). Restore the carrier to satisfactory condition by performing all indicated repairs and replacements. DO NOT use the product until it is restored to satisfactory condition.
4. Make a dated record of any repairs, adjustments and/or replacements.

LABELING DIAGRAM

The unit should be labeled as shown in the diagram. However, label content and location are subject to change so your product might not be labeled exactly as shown. Thoroughly photograph the unit when you first receive it as discussed in the *Record of Satisfactory Condition* section of this manual. Make sure that your Record includes a photograph of each label. Modify this diagram, if necessary, to indicate labeling actually applied. Replace all labels that are, damaged, missing, or not easily readable (e.g. faded). Contact the *Parts Department* online at http://www.vestilmfg.com/parts_info.htm to order replacement labels. You may also call (260) 665-7586 and ask the operator to connect you to the *Parts Department*.



A: Label 320 (Model; serial no.; capacity)
Apply to back side of cross bar or outside of drum saddle

MODEL NUMBER/NUMERO MODELO _____
RATED LOAD _____ LBS.
CARGA TASADA _____ KGS.
WEIGHT OF LIFTER _____ LBS.
PESO DE LA UNIDAD _____ KGS.
SERIAL NUMBER/NUMERO DE SERIE: _____
BTH-1 Design Category/Diseño BTH-1 Categoría: <u> B </u>
BTH-1 Service Category/Servicio BTH-1 Categoría: <u> 1 </u>
VESTIL MANUFACTURING COMPANY 320
Phone (260) 665-7586 • www.vestil.com rev 0409

B: Label 1049 (OSHA tagging requirements)
Applied to outside of drum saddle

⚠ WARNING	
<p>Improper use of this fork attachment might result in death or serious injury.</p> <ul style="list-style-type: none"> Using this front end attachment affects lift truck center of gravity. Before using this fork attachment, US Federal regulation 29 CFR 1910.178 requires you to contact the manufacturer of your lift truck and request: <ol style="list-style-type: none"> Written approval [29 CFR 1910.178(a)(4)] Markings for (fork) lift truck that: <ul style="list-style-type: none"> Identify the attachment; Give approximate weight of truck and attachment at maximum elevation with laterally-centered load. [29 CFR 1910.178(a)(5)]. DO NOT use UNTIL lift truck is marked with corrected capacity tags. 	
<p>1049 rev 1118</p>	

C: Label 218 (Fasten safety chain to carriage)
Applied to outside of drum saddle

⚠ WARNING	⚠ ADVERTENCIAS
<p>Improper use might result in death or serious personal injury. Attach device to fork carriage with safety chain/strap.</p> <ul style="list-style-type: none"> Drive lift truck forward until forks contact ends of fork pockets. Chain/straps must not be able to disconnect (slide free) from carriage. Safety chain/strap must be taut. Connect chain/strap to carriage via shortest line. 	<p>El uso impropio puede resultar en muerte o heridas personales. Atar aparato al mástil del montacargas con cadenas/correas.</p> <ul style="list-style-type: none"> Maneje el montacargas para adelante hasta que las cuñas hagan contacto con la orilla del bolsillo de las cuñas. La cadenas y correas no deben deslizarse (soltarse) del mástil del montacargas. La cadena/correa de seguridad debe de estar apretado. Asegure la cadena/correa al mástil via la ruta mas corta.
<p>218 rev 0910</p>	

D: Label 232: Keep drum vertical while moving
Applied to

⚠ CAUTION	⚠ ATENCIÓN	⚠ ATTENTION
<p>DRUM MUST BE IN VERTICAL POSITION WHEN MOVING</p>	<p>EL TAMBOR DEBE DE ESTAR EN LA POSICIÓN VERTICAL CUANDO EN MOVIMIENTO</p>	<p>LE BIDON DOIT ÊTRE EN POSITION VERTICALE LORS D'UN DÉPLACEMENT</p>
<p>VESTIL MANUFACTURING CORPORATION • Phone (260) 665-7586 • Fax (260) 665-1339 • sales@vestil.com • www.vestil.com Rev 0410</p>		

E: Label 675 (Below-the-hook lifting)
Applied to outside of drum saddle

⚠ WARNING	⚠ ADVERTENCIA
<ul style="list-style-type: none"> DO NOT exceed rated capacity DO NOT use if damaged, malfunctioning, or missing parts DO NOT lift people OR lift loads over people DO NOT raise load higher than necessary DO NOT leave a suspended load unattended DO NOT use lifter unless you read and understand the owner's manual DO NOT alter OR modify lifter DO NOT remove OR obscure any label STAY CLEAR of suspended loads Secure load before using this device 	<ul style="list-style-type: none"> NO exceda la capacidad tasada NO USE is las partes estan dañadas, no funcionan correctamente o faltan partes. NO eleve al personal o eleve cargas sobre el personal NO eleve la carga mas alto de lo necesario NO deje desatendida una carga que este suspendida NO use el elevador a no ser que haya leído y entendido las instrucciones del manual del propietario NO altere o modifique el elevador NO quite u oscurezca ninguna etiqueta MANTENGASE alejado de las cargas suspendidas Asegure la carga antes de usar este dispositivo
<p>675 rev 1213</p>	

LIMITED WARRANTY

Vestil Manufacturing Corporation (“Vestil”) warrants this product to be free of defects in material and workmanship during the warranty period. Our warranty obligation is to provide a replacement for a defective, original part covered by the warranty after we receive a proper request from the Warrantee (you) for warranty service.

Who may request service?

Only a warrantee may request service. You are a warrantee if you purchased the product from Vestil or from an authorized distributor AND Vestil has been fully paid.

Definition of “original part”?

An original part is a part used to make the product as shipped to the Warrantee.

What is a “proper request”?

A request for warranty service is proper if Vestil receives: 1) a photocopy of the Customer Invoice that displays the shipping date; AND 2) a written request for warranty service including your name and phone number. Send requests by one of the following methods:

US Mail	Fax	Email
Vestil Manufacturing Corporation 2999 North Wayne Street, PO Box 507 Angola, IN 46703	(260) 665-1339 <u>Phone</u> (260) 665-7586	info@vestil.com Enter “Warranty service request” in subject field.

In the written request, list the parts believed to be defective and include the address where replacements should be delivered. After Vestil receives your request for warranty service, an authorized representative will contact you to determine whether your claim is covered by the warranty. Before providing warranty service, Vestil will require you to send the entire product, or just the defective part (or parts), to its facility in Angola, IN.

What is covered under the warranty?

The warranty covers defects in the following original, dynamic parts: motors, hydraulic pumps, motor controllers, and cylinders. It also covers defects in original parts that wear under normal usage conditions (“wearing parts”), such as bearings, hoses, wheels, seals, brushes, and batteries.

How long is the warranty period?

The warranty period for original dynamic components is 90 days. For wearing parts, the warranty period is 90 days. Both warranty periods begin on the date Vestil ships the product to the Warrantee. If the product was purchased from an authorized distributor, the periods begin when the distributor ships the product. Vestil may, at its sole discretion, extend a warranty period for products shipped from authorized distributors by up to 30 days to account for shipping time.

If a defective part is covered by the warranty, what will Vestil do to correct the problem?

Vestil will provide an appropriate replacement for any *covered* part. An authorized representative of Vestil will contact you to discuss your claim.

What is not covered by the warranty?

The Warrantee (you) is responsible for paying labor costs and freight costs to return the product to Vestil for warranty service.

Events that automatically void this Limited Warranty.

- Misuse;
- Negligent assembly, installation, operation or repair;
- Installation/use in corrosive environments;
- Inadequate or improper maintenance;
- Damage sustained during shipping;
- Collisions or other accidents that damage the product;
- Unauthorized modifications: Do not modify the product IN ANY WAY without first receiving written authorization from Vestil.

Do any other warranties apply to the product?

Vestil Manufacturing Corp. makes no other express warranties. All implied warranties are disclaimed to the extent allowed by law. Any implied warranty not disclaimed is limited in scope to the terms of this Limited Warranty. Vestil makes no warranty or representation that this product complies with any state or local design, performance, or safety code or standard. Noncompliance with any such code or standard is not a defect in material or workmanship.

